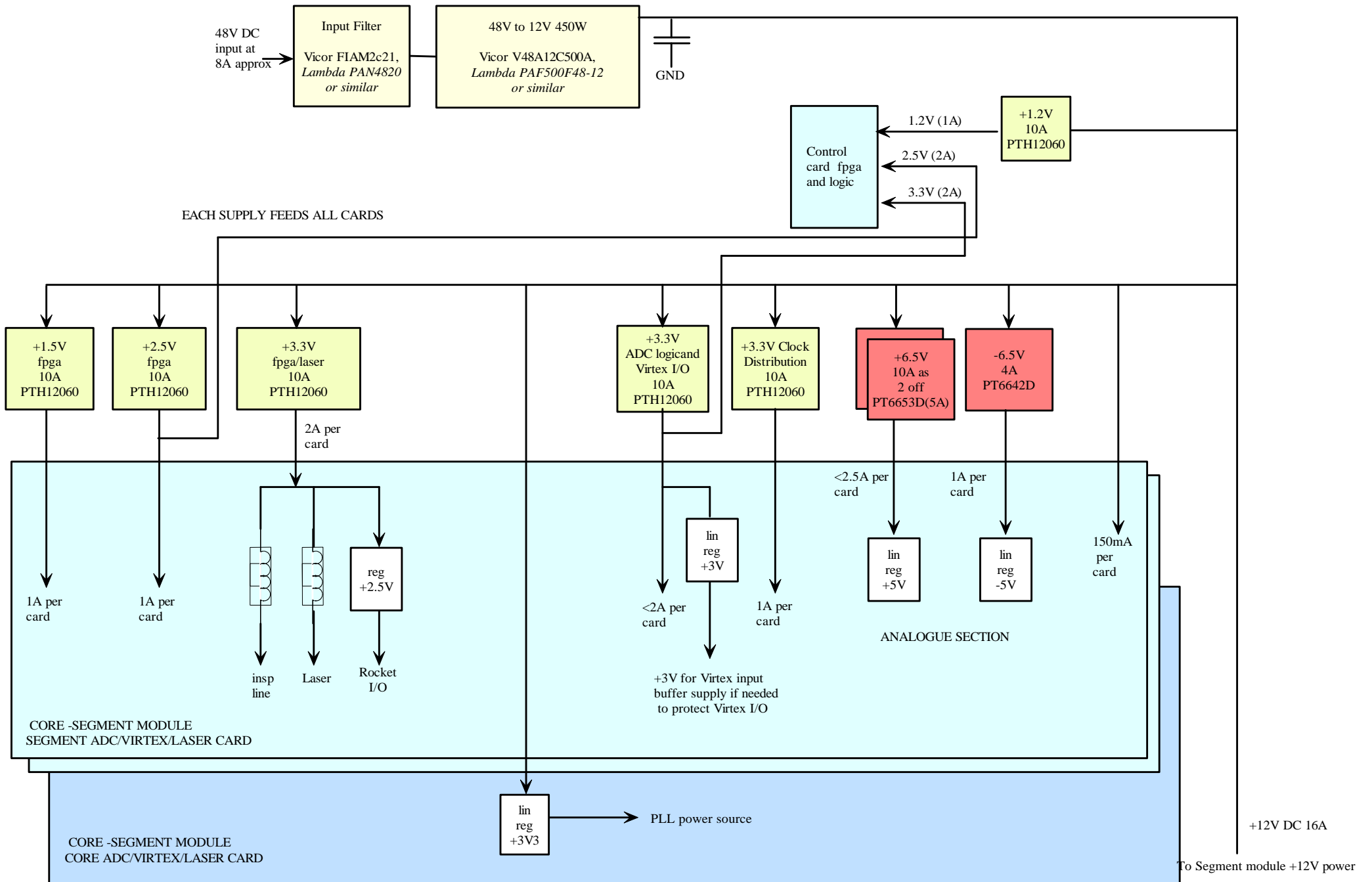


# CORE

BOTH MODULES BOLTED DIRECTLY TO MODULE CASE



SEGMENT MODULE

